

CUSTOMER NAME _____
CONTACT _____
DATE _____

1 CAP STYLE: O90 - PILLBOX

QUANTITY COLORWAY 1 : _____
QUANTITY COLORWAY 2 : _____

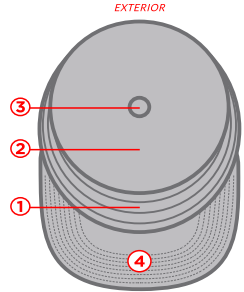
QUICKTURN
96 PC. MINIMUM
48 PC. PER COLORWAY

STANDARD
288 PC. MINIMUM
72 PC. PER COLORWAY

2 CAP DETAILS :

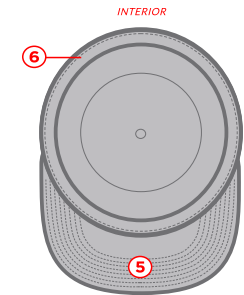
COLORWAY 1 : [CLICK HERE FOR AVAILABLE COLOR SWATCHES](#)

COLORWAY 2 :



#	COLOR	FABRIC / MATERIAL	STITCH COLOR
1.	_____	_____	_____
2.	_____	_____	_____
3.	_____	_____	_____
4.	_____	_____	_____
5.	_____	_____	_____
6.	_____	_____	_____

THREE STRIPE PIPING COLOR : _____



#	COLOR	FABRIC / MATERIAL	STITCH COLOR
1.	_____	_____	_____
2.	_____	_____	_____
3.	_____	_____	_____
4.	_____	_____	_____
5.	_____	_____	_____
6.	_____	_____	_____

THREE STRIPE PIPING COLOR : _____

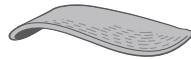
ADDITIONAL NOTES

3 VISOR



FLAT SQUARED

2" VISOR / 4 ROWS OF STITCHING
OR STANDARD / 8 ROWS OF STITCHING



PRECURVED

2" VISOR / 4 ROWS OF STITCHING
OR STANDARD VISOR / 8 ROWS OF STITCHING



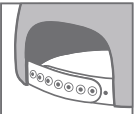
ROPE BRAID OPTION

COLOR : _____ /

COLORWAY 1

COLORWAY 2

4 CLOSURE



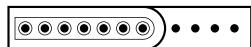
SNAPBACK

COLORWAY 1

COLORWAY 2

COLOR : _____ /

OR

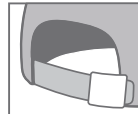


FEMALE SNAP

MALE SNAP

FEMALE SNAP COLOR: _____ /

MALE SNAP COLOR: _____ /



LEATHER STRAPBACK

COLORWAY 1

COLORWAY 2

- LEATHER COLOR**
- BLACK
 - LIGHT BROWN
 - DARK BROWN
 - WHITE

- LEATHER COLOR**
- BLACK
 - LIGHT BROWN
 - DARK BROWN
 - WHITE

- METAL CLASP COLOR**
- GOLD
 - SILVER
 - BRONZE
 - GUNMETAL BLACK

- METAL CLASP COLOR**
- GOLD
 - SILVER
 - BRONZE
 - GUNMETAL BLACK



CLOTH HIDEAWAY

COLORWAY 1

COLORWAY 2

- METAL CLASP COLOR**
- GOLD
 - SILVER
 - BRONZE
 - GUNMETAL BLACK

- METAL CLASP COLOR**
- GOLD
 - SILVER
 - BRONZE
 - GUNMETAL BLACK



VELCRO

COLOR : _____ /

COLORWAY 1

COLORWAY 2

OR

LEFT COLOR: _____ /

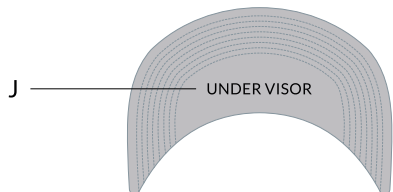
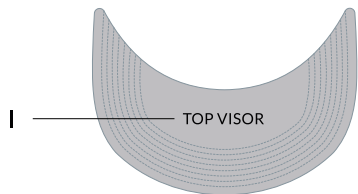
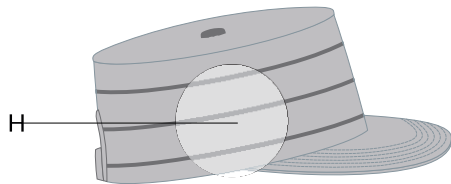
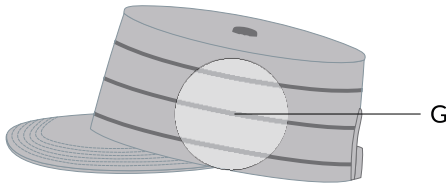
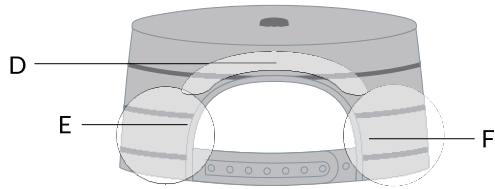
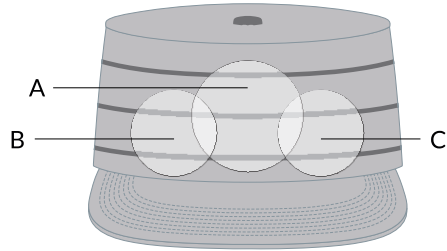
RIGHT COLOR: _____ /



NYLON STRAP W/PLASTIC CLASP

[BLACK ONLY]

5 DECORATION DESIGN MAP :



DECORATION 1

LOCATION _____
(LETTER)

FILE NAME _____
(ATTACH WEEMAIL)

SIZE (W x H) _____

COLOR(S) **COLORWAY 1 :** _____
COLORWAY 2 : _____

- | | |
|---|--|
| <input type="checkbox"/> EMBROIDERY | <input type="checkbox"/> WOVEN LABEL |
| <input type="checkbox"/> 3D EMBROIDERY | <input type="checkbox"/> WOVEN PATCH |
| <input type="checkbox"/> FELT APPLIQUE | <input type="checkbox"/> DEBOSSSED LEATHER PATCH |
| <input type="checkbox"/> SCREEN PRINT | <input type="checkbox"/> EMBROIDERED PATCH |
| <input type="checkbox"/> TWILL APPLIQUE | <input type="checkbox"/> PRINTED PATCH |

NOTES

DECORATION 2

LOCATION _____
(LETTER)

FILE NAME _____
(ATTACH WEEMAIL)

SIZE (W x H) _____

COLOR(S) **COLORWAY 1 :** _____
COLORWAY 2 : _____

- | | |
|---|--|
| <input type="checkbox"/> EMBROIDERY | <input type="checkbox"/> WOVEN LABEL |
| <input type="checkbox"/> 3D EMBROIDERY | <input type="checkbox"/> WOVEN PATCH |
| <input type="checkbox"/> FELT APPLIQUE | <input type="checkbox"/> DEBOSSSED LEATHER PATCH |
| <input type="checkbox"/> SCREEN PRINT | <input type="checkbox"/> EMBROIDERED PATCH |
| <input type="checkbox"/> TWILL APPLIQUE | <input type="checkbox"/> PRINTED PATCH |

NOTES

DECORATION 3

LOCATION _____
(LETTER)

FILE NAME _____
(ATTACH WEEMAIL)

SIZE (W x H) _____

COLOR(S) **COLORWAY 1 :** _____
COLORWAY 2 : _____

- | | |
|---|--|
| <input type="checkbox"/> EMBROIDERY | <input type="checkbox"/> WOVEN LABEL |
| <input type="checkbox"/> 3D EMBROIDERY | <input type="checkbox"/> WOVEN PATCH |
| <input type="checkbox"/> FELT APPLIQUE | <input type="checkbox"/> DEBOSSSED LEATHER PATCH |
| <input type="checkbox"/> SCREEN PRINT | <input type="checkbox"/> EMBROIDERED PATCH |
| <input type="checkbox"/> TWILL APPLIQUE | <input type="checkbox"/> PRINTED PATCH |

NOTES

DECORATION 4

LOCATION _____
(LETTER)

FILE NAME _____
(ATTACH WEEMAIL)

SIZE (W x H) _____

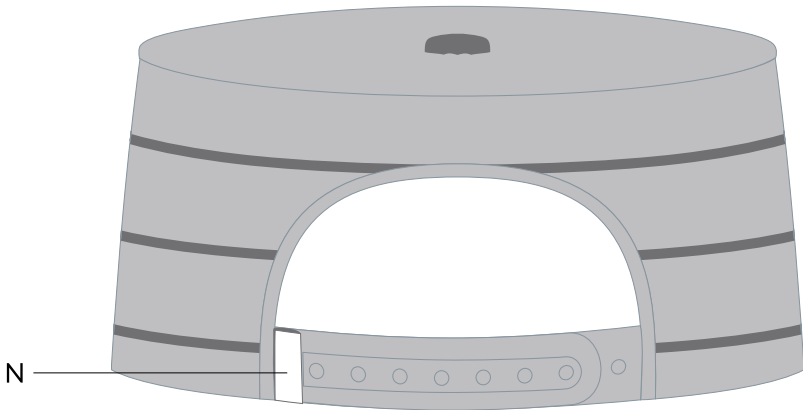
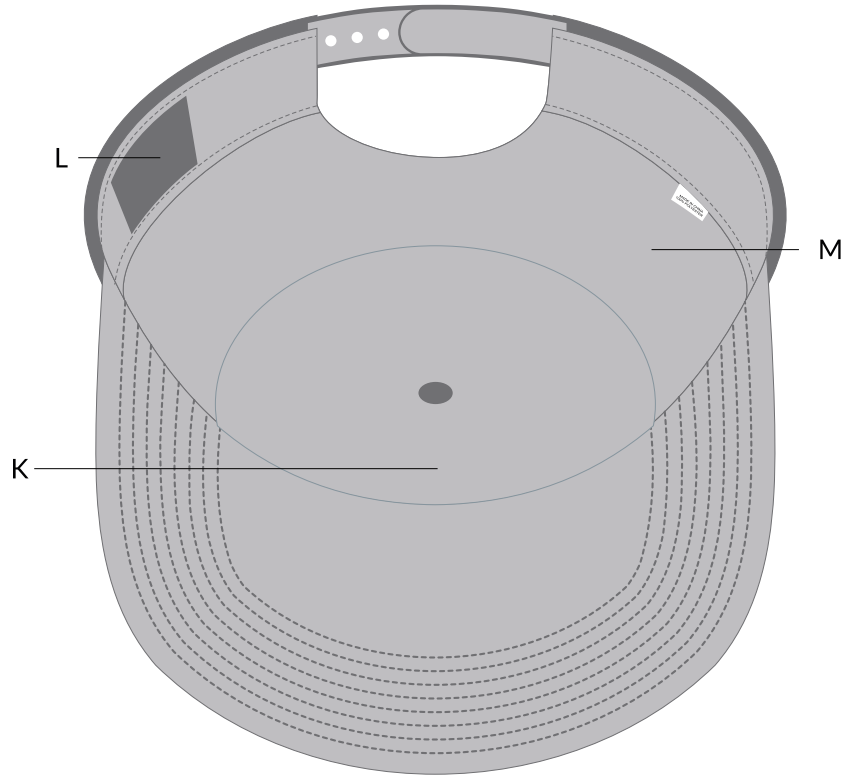
COLOR(S) **COLORWAY 1 :** _____
COLORWAY 2 : _____

- | | |
|---|--|
| <input type="checkbox"/> EMBROIDERY | <input type="checkbox"/> WOVEN LABEL |
| <input type="checkbox"/> 3D EMBROIDERY | <input type="checkbox"/> WOVEN PATCH |
| <input type="checkbox"/> FELT APPLIQUE | <input type="checkbox"/> DEBOSSSED LEATHER PATCH |
| <input type="checkbox"/> SCREEN PRINT | <input type="checkbox"/> EMBROIDERED PATCH |
| <input type="checkbox"/> TWILL APPLIQUE | <input type="checkbox"/> PRINTED PATCH |

NOTES



6 INTERNAL DECORATION



K - CROWN STRUCTURE

- BUCKRAM NO STRUCTURE LIGHT BUCKRAM

L - INTERNAL WOVEN LABEL



PLEASE NOTE: - MAX HEIGHT IS 25mm / .98"
- MAX WIDTH IS 70mm / 2.75"
- LABEL CAN BE PLACED ANYWHERE ON SWEATBAND

LABEL COLOR: _____

FILE NAME: _____
(ATTACH W/EMAIL)

SIZE (W x H): _____

NOTES:

M - INNER LINING

- NONE CVC TWILL TRICOT SATIN

INNER LINING COLOR: _____

SCREEN PRINT YES NO FILE NAME: _____
(ATTACH W/EMAIL)

N - BACKSTRAP WOVEN LABEL



PLEASE NOTE: - MAX HEIGHT IS 20mm / .98"
- RECOMMENDED WIDTH IS 11mm - 15mm / .43"-.6"
- LABEL CAN ONLY BE PLACED ON LEFT SIDE

LABEL COLOR: _____

FILE NAME: _____
(ATTACH W/EMAIL)

SIZE (W x H): _____

ADDITIONAL NOTES / DETAILS FOR CAP

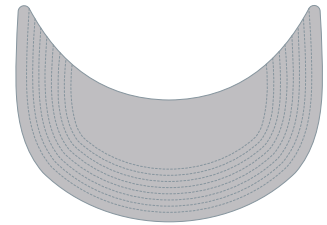
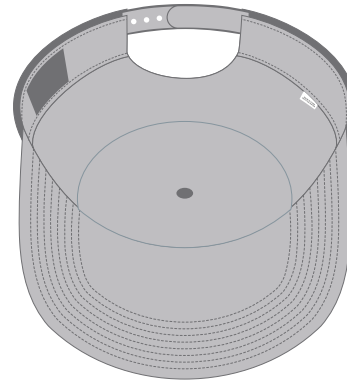
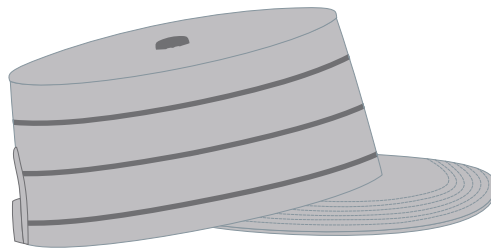
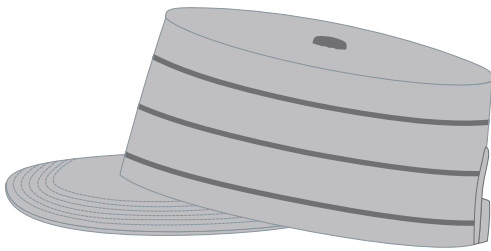
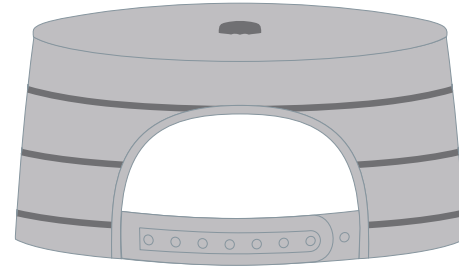
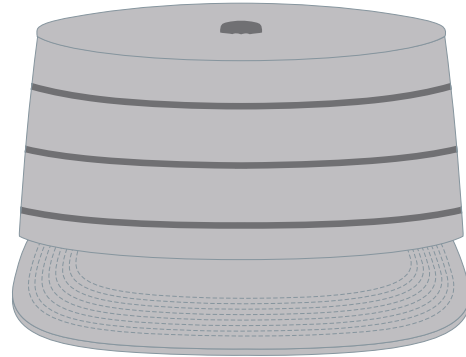
Blank area for additional notes or details for the cap.

CAP TEMPLATES

ART REQUIREMENTS:

- PLEASE CONVERT TEXT TO OUTLINE
- PLEASE EXPAND ALL STROKES
- APPROPRIATE ART FILE TYPES ARE : AI, EPS, PDF

THIS PAGE IS OPTIONAL



L - INTERNAL WOVEN LABEL



N - BACKSTRAP WOVEN LABEL