

CUSTOMER NAME \_\_\_\_\_  
CONTACT \_\_\_\_\_  
DATE \_\_\_\_\_

**1 CAP STYLE:** O71 - BUCKET HAT

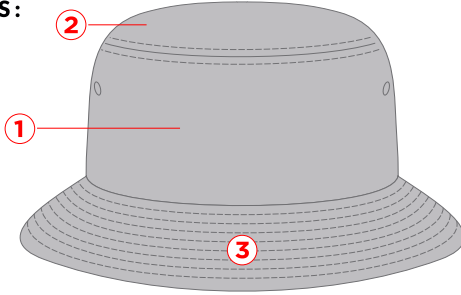
QUANTITY COLORWAY 1 : \_\_\_\_\_

QUANTITY COLORWAY 2 : \_\_\_\_\_

QUICKTURN  
96 PC. MINIMUM  
48 PC. PER COLORWAY

STANDARD  
288 PC. MINIMUM  
72 PC. PER COLORWAY

**2 CAP DETAILS:**



COLORWAY 1 : [CLICK HERE FOR AVAILABLE COLOR SWATCHES](#)

COLORWAY 2 :

#	COLOR	FABRIC / MATERIAL	STITCH COLOR
1.	_____	_____	_____
2.	_____	_____	_____
3.	_____	_____	_____
4.	_____	_____	_____
5.	_____	_____	_____

EYELET COLOR \_\_\_\_\_

#	COLOR	FABRIC / MATERIAL	STITCH COLOR
1.	_____	_____	_____
2.	_____	_____	_____
3.	_____	_____	_____
4.	_____	_____	_____
5.	_____	_____	_____

EYELET COLOR \_\_\_\_\_

SUBLIMATION / SCREEN PRINT FILE NAME(S): \_\_\_\_\_

ADDITIONAL NOTES

**3 VISOR**

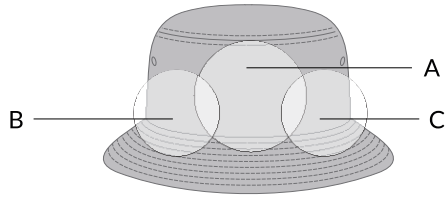
STANDARD

**4 CLOSURE**

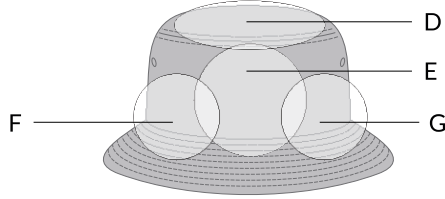
NONE

**5 DECORATION DESIGN MAP :**

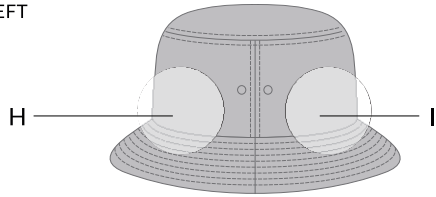
FRONT



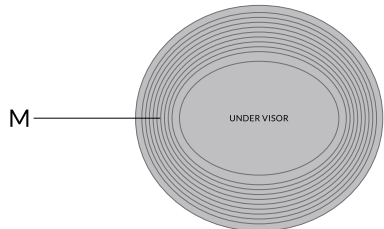
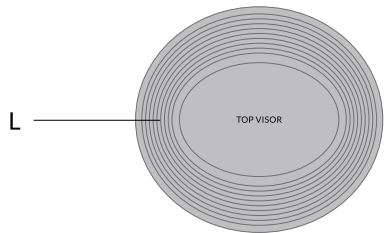
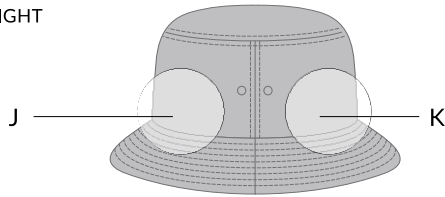
BACK



WEARERS LEFT



WEARERS RIGHT



**DECORATION 1**

LOCATION \_\_\_\_\_  
(LETTER)

FILE NAME \_\_\_\_\_  
(ATTACH WEEMAIL)

SIZE (W x H) \_\_\_\_\_

COLOR(S) **COLORWAY 1 :** \_\_\_\_\_  
**COLORWAY 2 :** \_\_\_\_\_

- |                                         |                                                  |
|-----------------------------------------|--------------------------------------------------|
| <input type="checkbox"/> EMBROIDERY     | <input type="checkbox"/> WOVEN LABEL             |
| <input type="checkbox"/> 3D EMBROIDERY  | <input type="checkbox"/> WOVEN PATCH             |
| <input type="checkbox"/> FELT APPLIQUE  | <input type="checkbox"/> DEBOSSSED LEATHER PATCH |
| <input type="checkbox"/> SCREEN PRINT   | <input type="checkbox"/> EMBROIDERED PATCH       |
| <input type="checkbox"/> TWILL APPLIQUE | <input type="checkbox"/> PRINTED PATCH           |

**NOTES**

**DECORATION 2**

LOCATION \_\_\_\_\_  
(LETTER)

FILE NAME \_\_\_\_\_  
(ATTACH WEEMAIL)

SIZE (W x H) \_\_\_\_\_

COLOR(S) **COLORWAY 1 :** \_\_\_\_\_  
**COLORWAY 2 :** \_\_\_\_\_

- |                                         |                                                  |
|-----------------------------------------|--------------------------------------------------|
| <input type="checkbox"/> EMBROIDERY     | <input type="checkbox"/> WOVEN LABEL             |
| <input type="checkbox"/> 3D EMBROIDERY  | <input type="checkbox"/> WOVEN PATCH             |
| <input type="checkbox"/> FELT APPLIQUE  | <input type="checkbox"/> DEBOSSSED LEATHER PATCH |
| <input type="checkbox"/> SCREEN PRINT   | <input type="checkbox"/> EMBROIDERED PATCH       |
| <input type="checkbox"/> TWILL APPLIQUE | <input type="checkbox"/> PRINTED PATCH           |

**NOTES**

**DECORATION 3**

LOCATION \_\_\_\_\_  
(LETTER)

FILE NAME \_\_\_\_\_  
(ATTACH WEEMAIL)

SIZE (W x H) \_\_\_\_\_

COLOR(S) **COLORWAY 1 :** \_\_\_\_\_  
**COLORWAY 2 :** \_\_\_\_\_

- |                                         |                                                  |
|-----------------------------------------|--------------------------------------------------|
| <input type="checkbox"/> EMBROIDERY     | <input type="checkbox"/> WOVEN LABEL             |
| <input type="checkbox"/> 3D EMBROIDERY  | <input type="checkbox"/> WOVEN PATCH             |
| <input type="checkbox"/> FELT APPLIQUE  | <input type="checkbox"/> DEBOSSSED LEATHER PATCH |
| <input type="checkbox"/> SCREEN PRINT   | <input type="checkbox"/> EMBROIDERED PATCH       |
| <input type="checkbox"/> TWILL APPLIQUE | <input type="checkbox"/> PRINTED PATCH           |

**NOTES**

**DECORATION 4**

LOCATION \_\_\_\_\_  
(LETTER)

FILE NAME \_\_\_\_\_  
(ATTACH WEEMAIL)

SIZE (W x H) \_\_\_\_\_

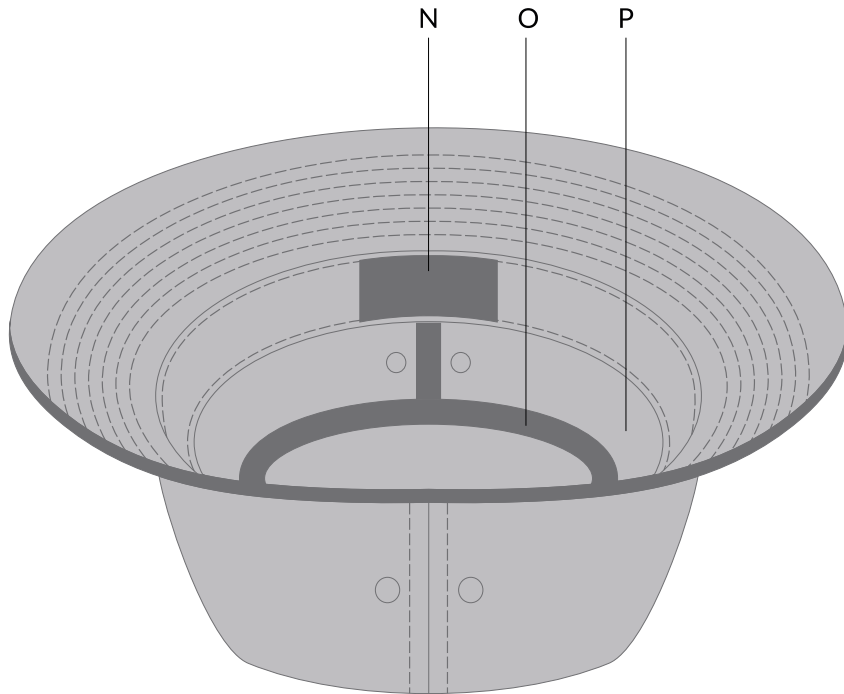
COLOR(S) **COLORWAY 1 :** \_\_\_\_\_  
**COLORWAY 2 :** \_\_\_\_\_

- |                                         |                                                  |
|-----------------------------------------|--------------------------------------------------|
| <input type="checkbox"/> EMBROIDERY     | <input type="checkbox"/> WOVEN LABEL             |
| <input type="checkbox"/> 3D EMBROIDERY  | <input type="checkbox"/> WOVEN PATCH             |
| <input type="checkbox"/> FELT APPLIQUE  | <input type="checkbox"/> DEBOSSSED LEATHER PATCH |
| <input type="checkbox"/> SCREEN PRINT   | <input type="checkbox"/> EMBROIDERED PATCH       |
| <input type="checkbox"/> TWILL APPLIQUE | <input type="checkbox"/> PRINTED PATCH           |

**NOTES**



**6 INTERNAL DECORATION + LABELING**



**N - INTERNAL WOVEN LABEL**



**PLEASE NOTE:** – MAX HEIGHT IS 25mm / .98"  
 – MAX WIDTH IS 70mm / 2.75"  
 – LABEL CAN BE PLACED ANYWHERE ON SWEATBAND

LABEL COLOR : \_\_\_\_\_

FILE NAME : \_\_\_\_\_  
(ATTACH W/EMAIL)

SIZE (W x H) : \_\_\_\_\_

NOTES :

**O - SEAM TAPE**

**PLEASE NOTE:** – SEAM TAPE IS 13mm TALL / .5" TALL  
 – HEIGHT BETWEEN STITCHING IS -7mm / -.27" TALL



SEAM TAPE COLOR : \_\_\_\_\_

FILE NAME : \_\_\_\_\_  
(ATTACH W/EMAIL)

**P - INNER LINING**

NONE     CVC TWILL     TRICOT     SATIN

INNER LINING COLOR : \_\_\_\_\_

**SCREEN PRINT**     YES     NO    FILE NAME : \_\_\_\_\_  
(ATTACH W/EMAIL)

**ADDITIONAL NOTES / DETAILS FOR CAP**

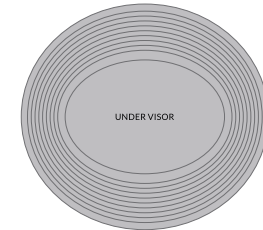
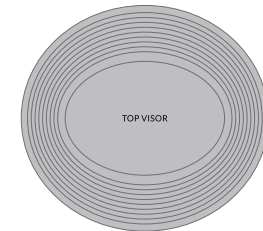
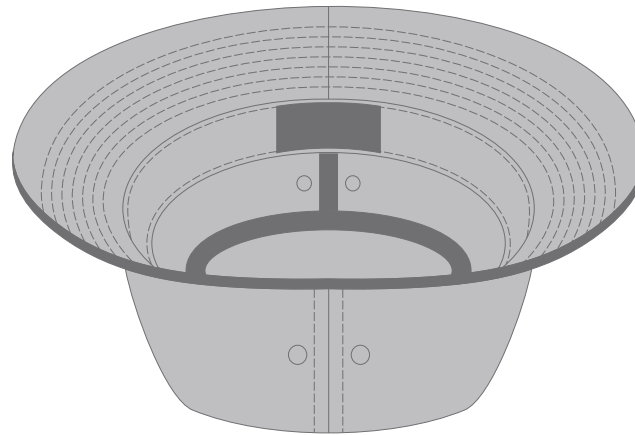
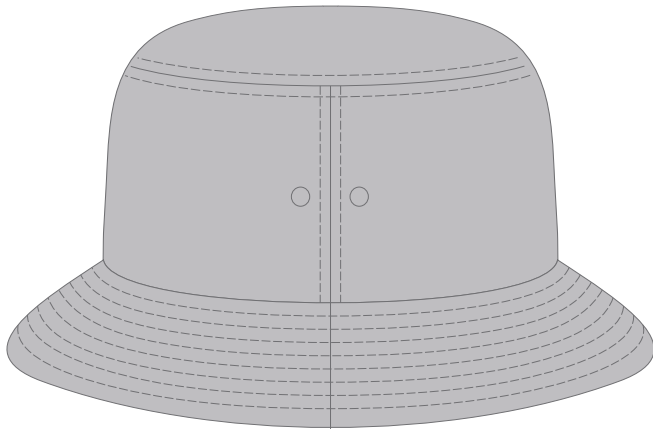
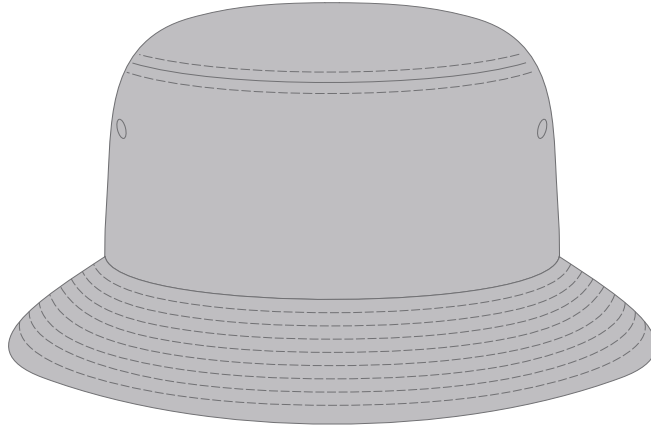
Blank area for additional notes or details for the cap.

CAP TEMPLATES

ART REQUIREMENTS:

- PLEASE CONVERT TEXT TO OUTLINE
- PLEASE EXPAND ALL STROKES
- APPROPRIATE ART FILE TYPES ARE: AI, EPS, PDF

THIS PAGE IS OPTIONAL



N - INTERNAL WOVEN LABEL



O - SEAM TAPE